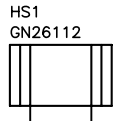
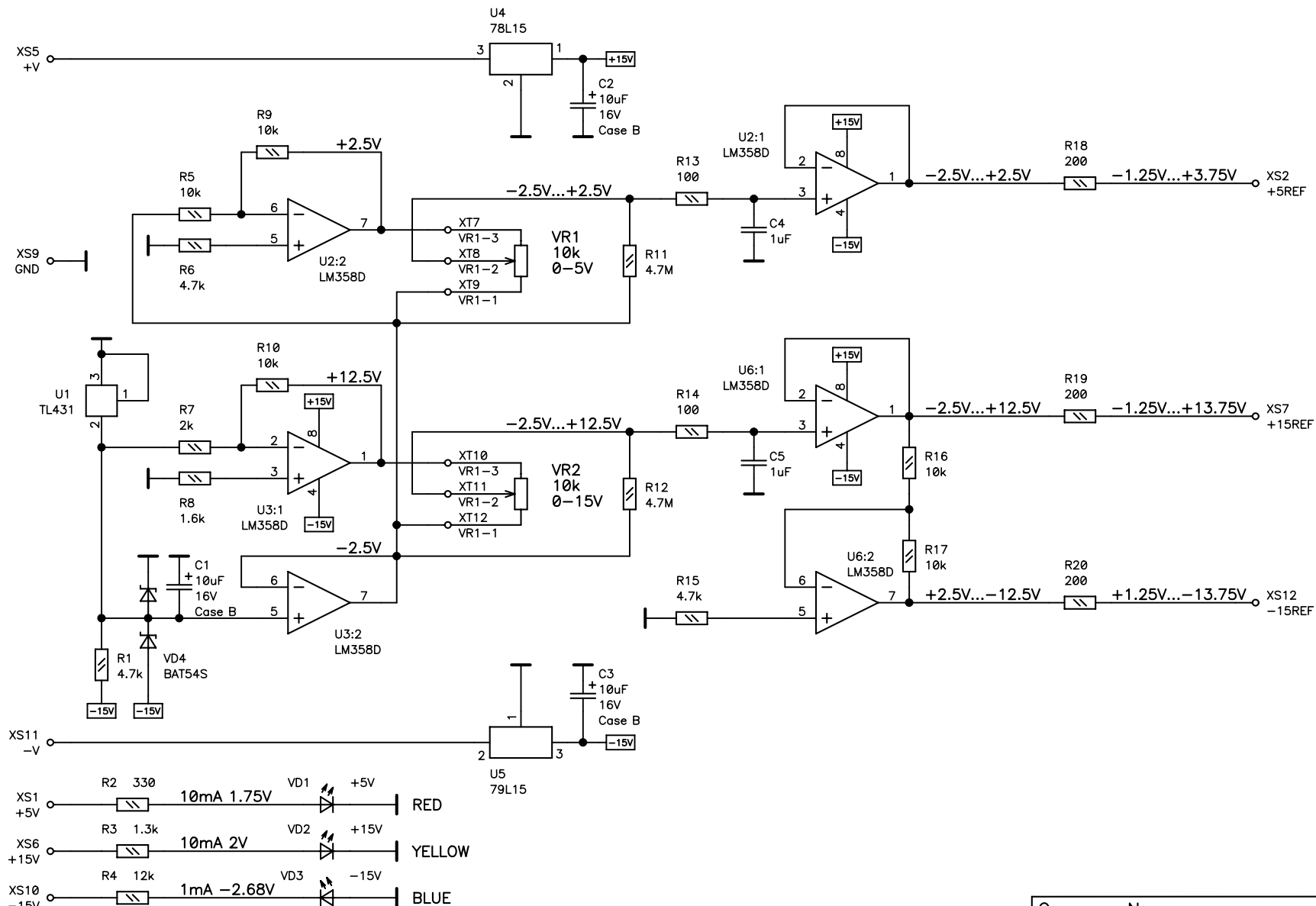


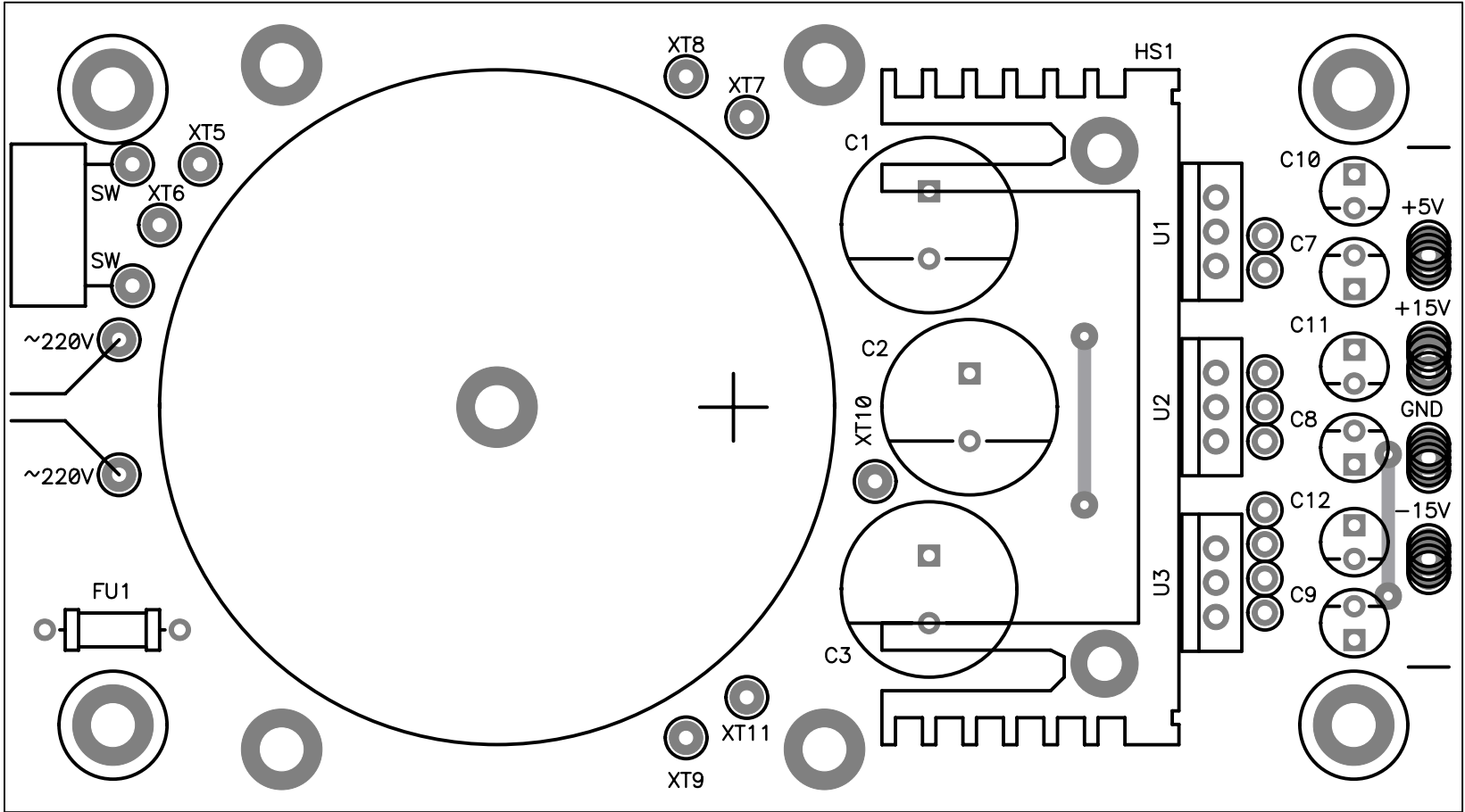
Fixed +5V and +/-15V version:
 R1 = 68k
 R2 = 30k
 R3 = 30k
 R4 = 820
 R5 = 3.3k
 R6 = 3.3k
 R7 = 270
 R8 = 270
 R9 = 270

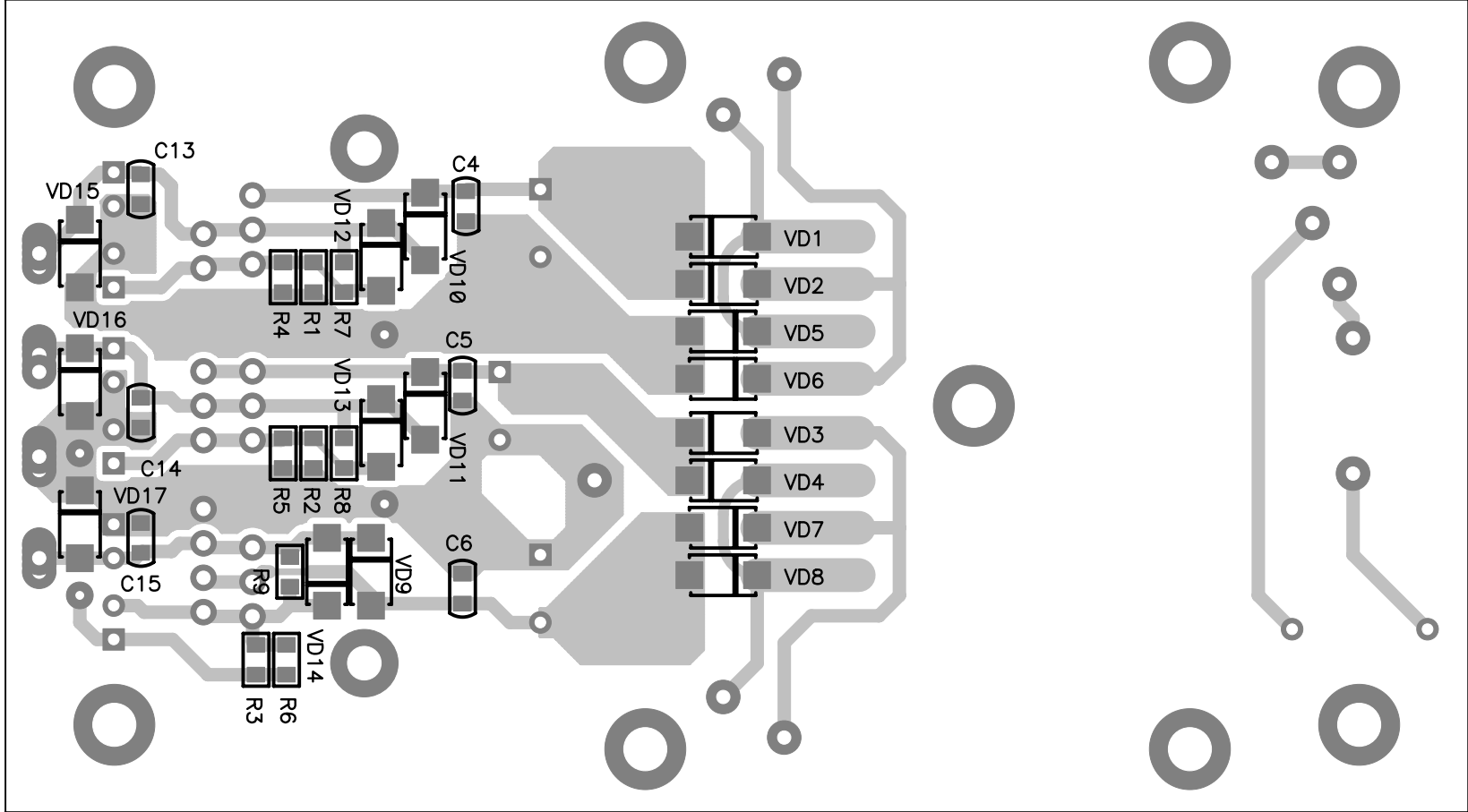


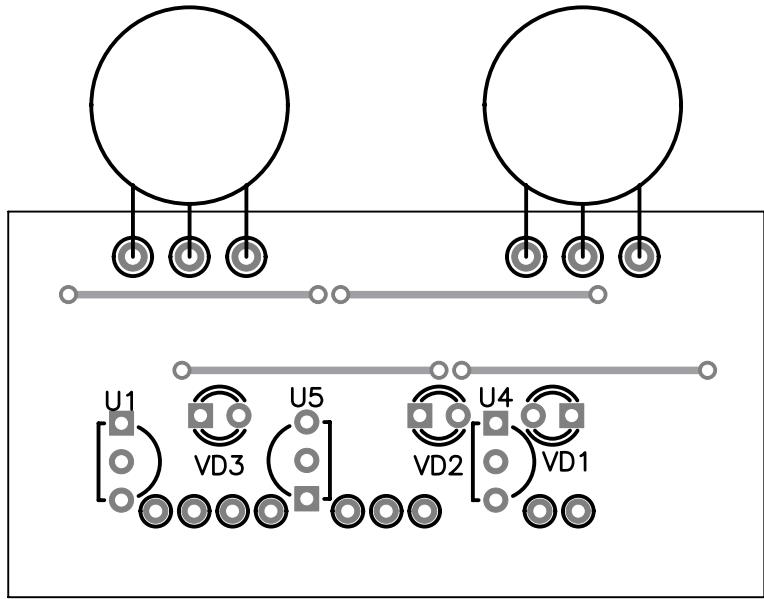
Company Name NSM lab		
Size M1	Title Power supply PSL-515	Rev A
Date Mon Feb 15, 2016	Drawn by NSM lab	
Filename PSL-515.sch	Sheet 1 of 1	



Company Name NSM lab		
Size M1	Title Power supply PSL-515	Rev A
Date Sun Feb 28, 2016	Drawn by NSM lab	
Filename PSL-515D.sch	Sheet 1 of 1	



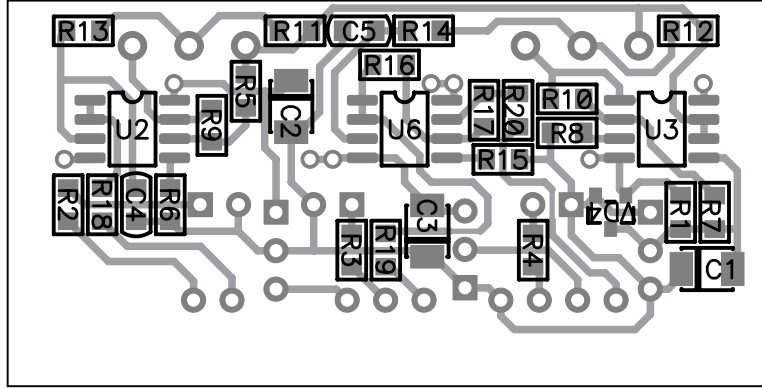


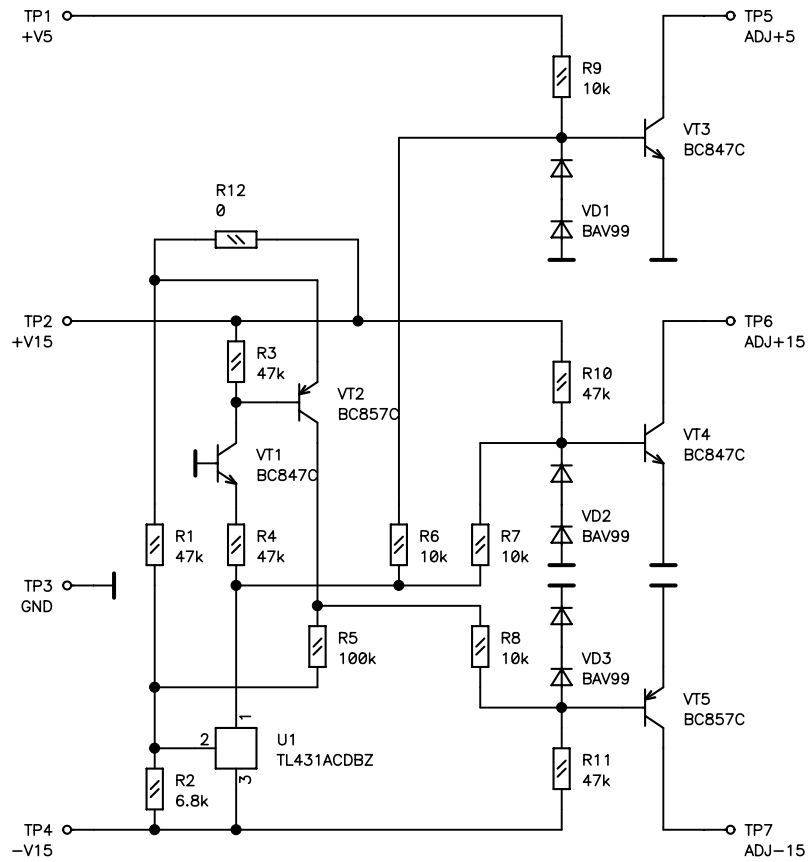


-15REF XS12
 -V XS11
 -15V XS10
 GND XS9

 +15REF XS7
 +15V XS6
 +V XS5

 +5REF XS2
 +5V XS1





Company Name NSM lab		
Size M1	Title Power supply PSL-515	Rev A
Date Thu Feb 25, 2016	Drawn by NSM lab	
Filename PSL-515_a.sch	Sheet 1 of 1	

