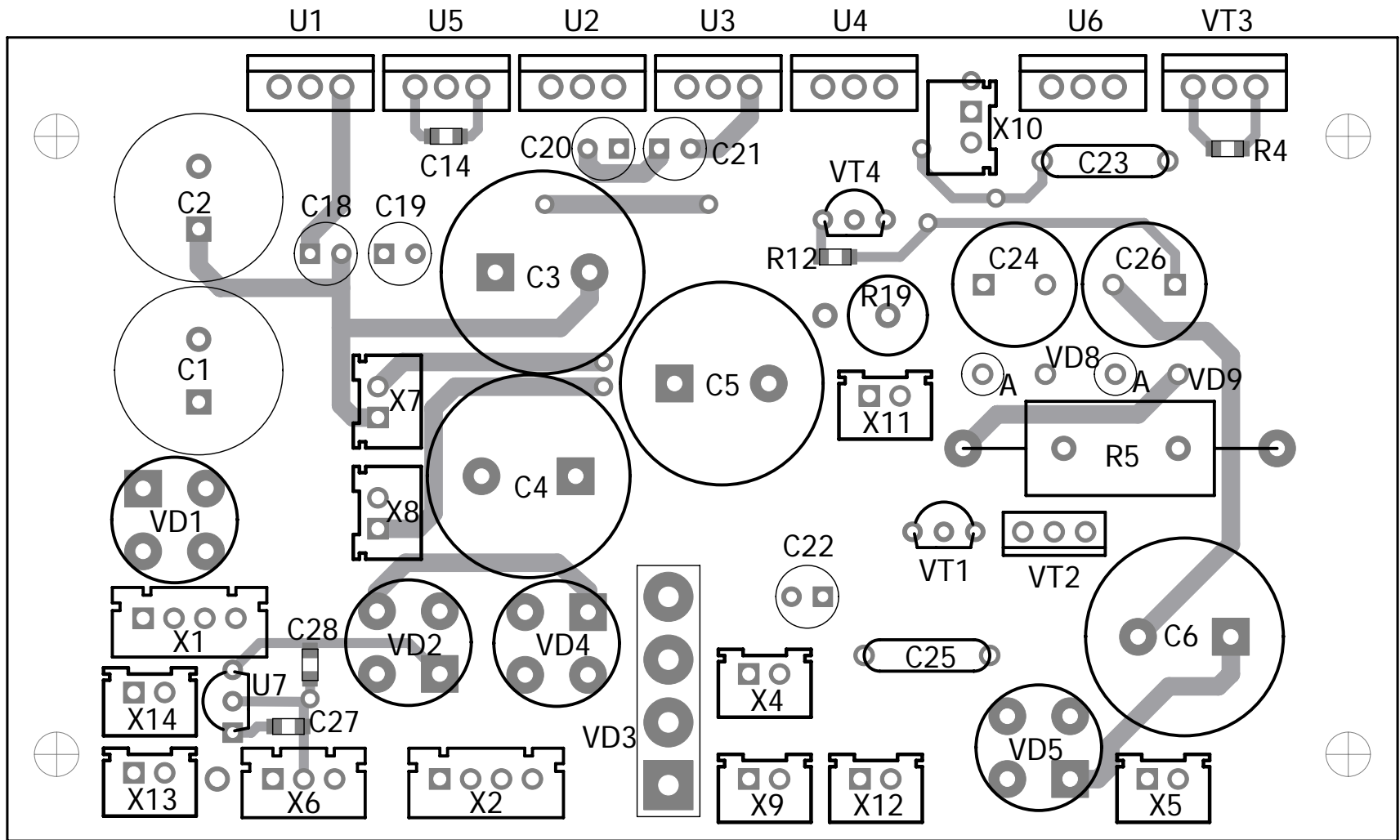


PSL-180

R6...R10, R14...R17 - 1%



R6...R10, R14...R17 - 1%

