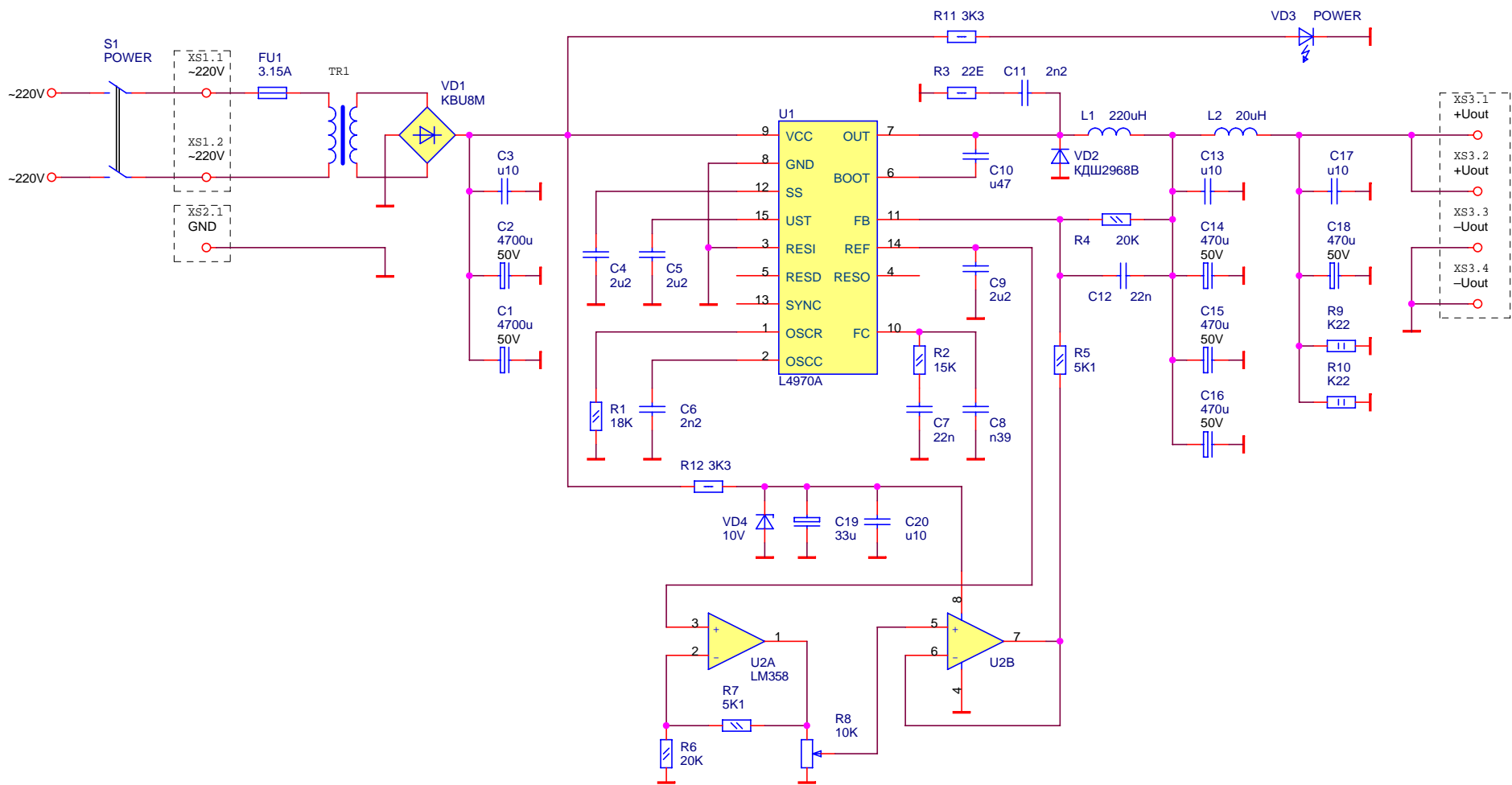


Title		
Size	Document Number	Rev
	PSL-100-15	
Date:	Friday, May 19, 2006	Sheet 1 of 1



Title		
Size	Document Number	Rev
	PSL-100-24	
Date:	Friday, May 19, 2006	Sheet 1 of 1