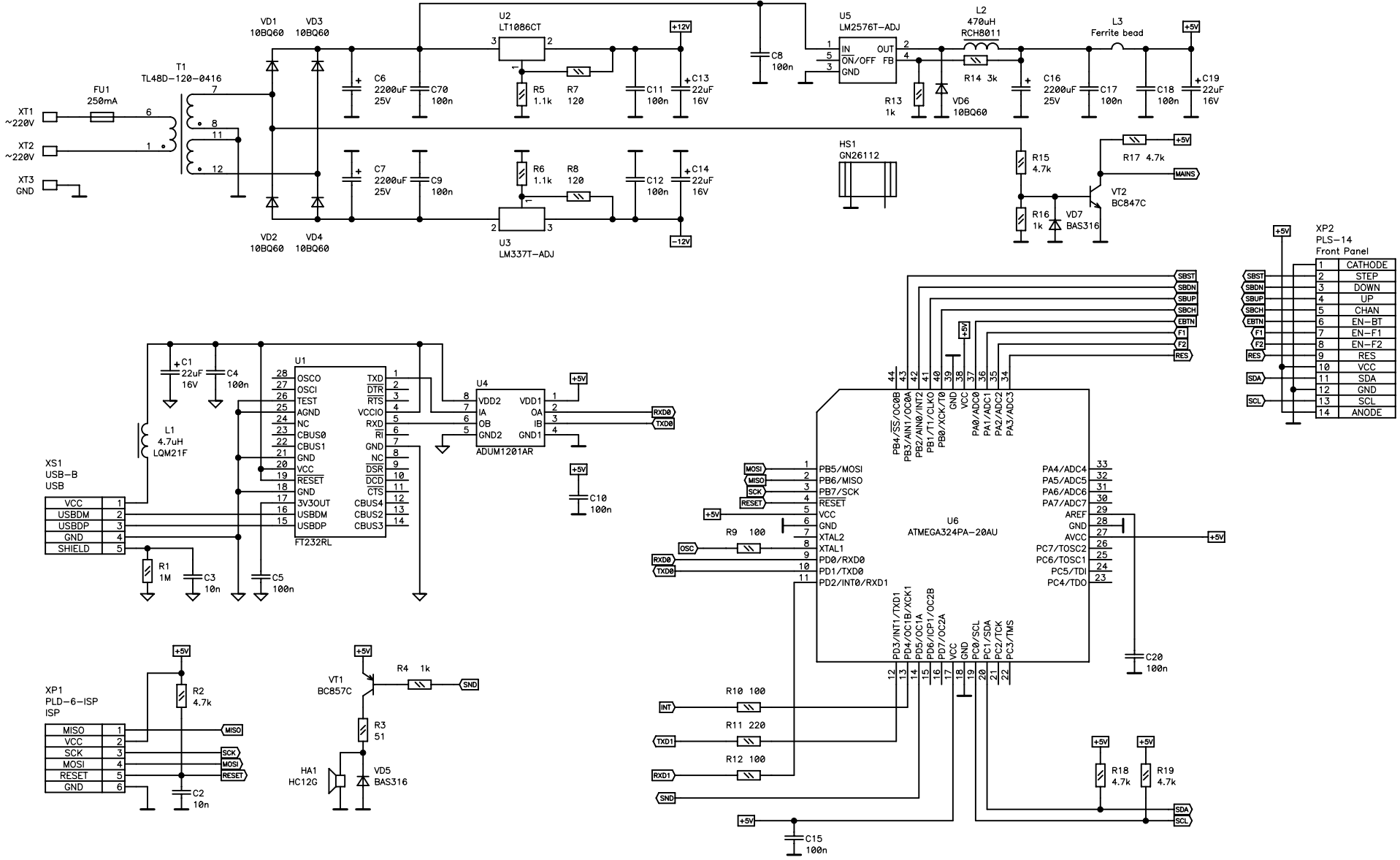


XS1
PBS-14_SMD
Main Board

CATHODE	1
STEP	2
DOWN	3
UP	4
CHAN	5
EN-BT	6
EN-F1	7
EN-F2	8
RES	9
VCC	10
SDA	11
GND	12
SCL	13
ANODE	14

Company Name NSM lab		
Size A35	Title SG-642	Rev A
Date Mon Oct 04, 2010	Drawn by NSM lab	
Filename SG-633_Panel.sch	Sheet 1 of 1	

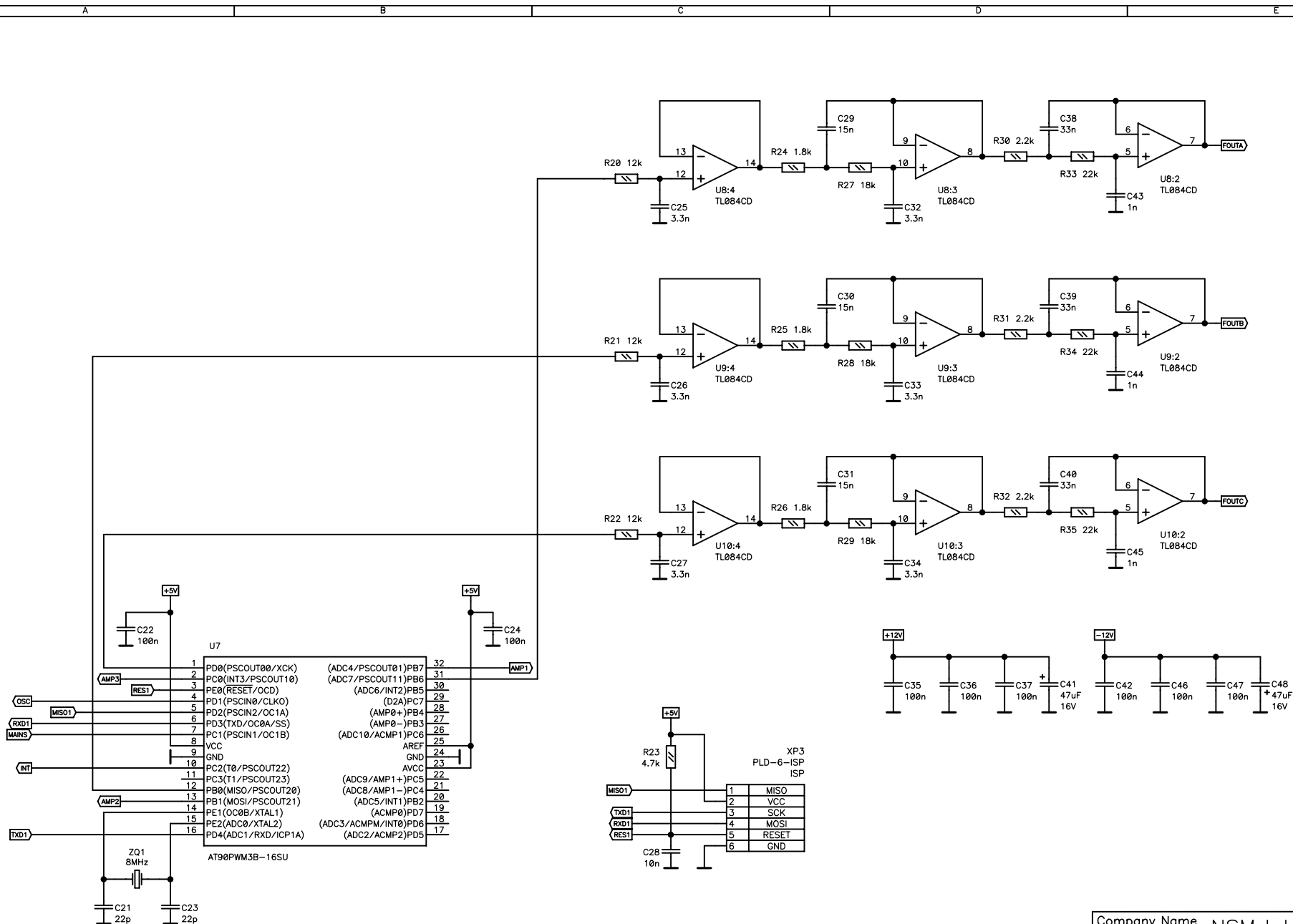


VCC	1
USBDM	2
USBDP	3
GND	4
SHIELD	5

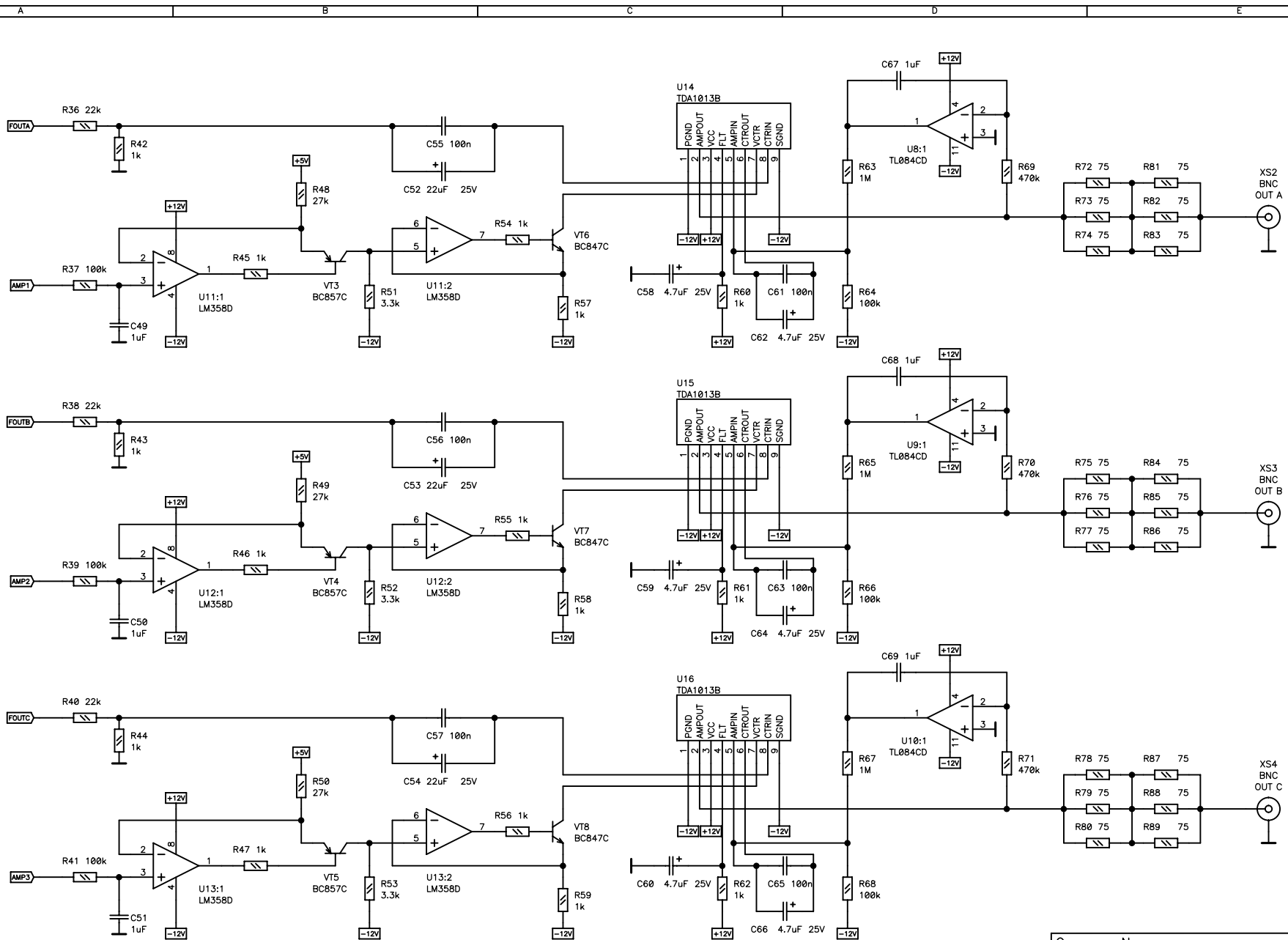
MISO	1
VCC	2
SCK	3
MOSI	4
RESET	5
GND	6

SBST	1	CATHODE
SBDN	2	STEP
SBUP	3	DOWN
SBUP	4	UP
SBCH	5	CHAN
EBTN	6	EN-BT
F1	7	EN-F1
F2	8	EN-F2
RES	9	RES
	10	VCC
SDA	11	SDA
	12	GND
SCL	13	SCL
	14	ANODE

Company Name NSM lab		
Size A35	Title SG-633	Rev A
Date Fri Jun 10, 2011	Drawn by NSM lab	
Filename SG-633_Main.sch	Sheet 1 of 3	



Company Name NSM lab		
Size A35	Title SG-633	Rev A
Date Fri Jun 10, 2011	Drawn by NSM lab	
Filename SG-633_Main.sch	Sheet 2 of 3	



Company Name NSM lab		
Size A35	Title SG-633	Rev A
Date Fri Jun 10, 2011	Drawn by NSM lab	
Filename SG-633_Main.sch	Sheet 3 of 3	