

XP1

1	+5V
2	GND
3	SCL
4	SDA
5	RXD1
6	TXD1
7	ADC0
8	ADC1
9	ADC2
10	ADC3

PLD-10

XP2

1	+5V
2	GND
3	OC1B
4	OC1A
5	OC0
6	MISO
7	MOSI
8	SCK
9	INT7
10	INT6
11	OC3C
12	OC3B
13	OC3A
14	XCK0
15	TXD
16	RXD

PLD-16

nCONFIG ○

MISO ○

MOSI ○

SCK ○

nCLR ○

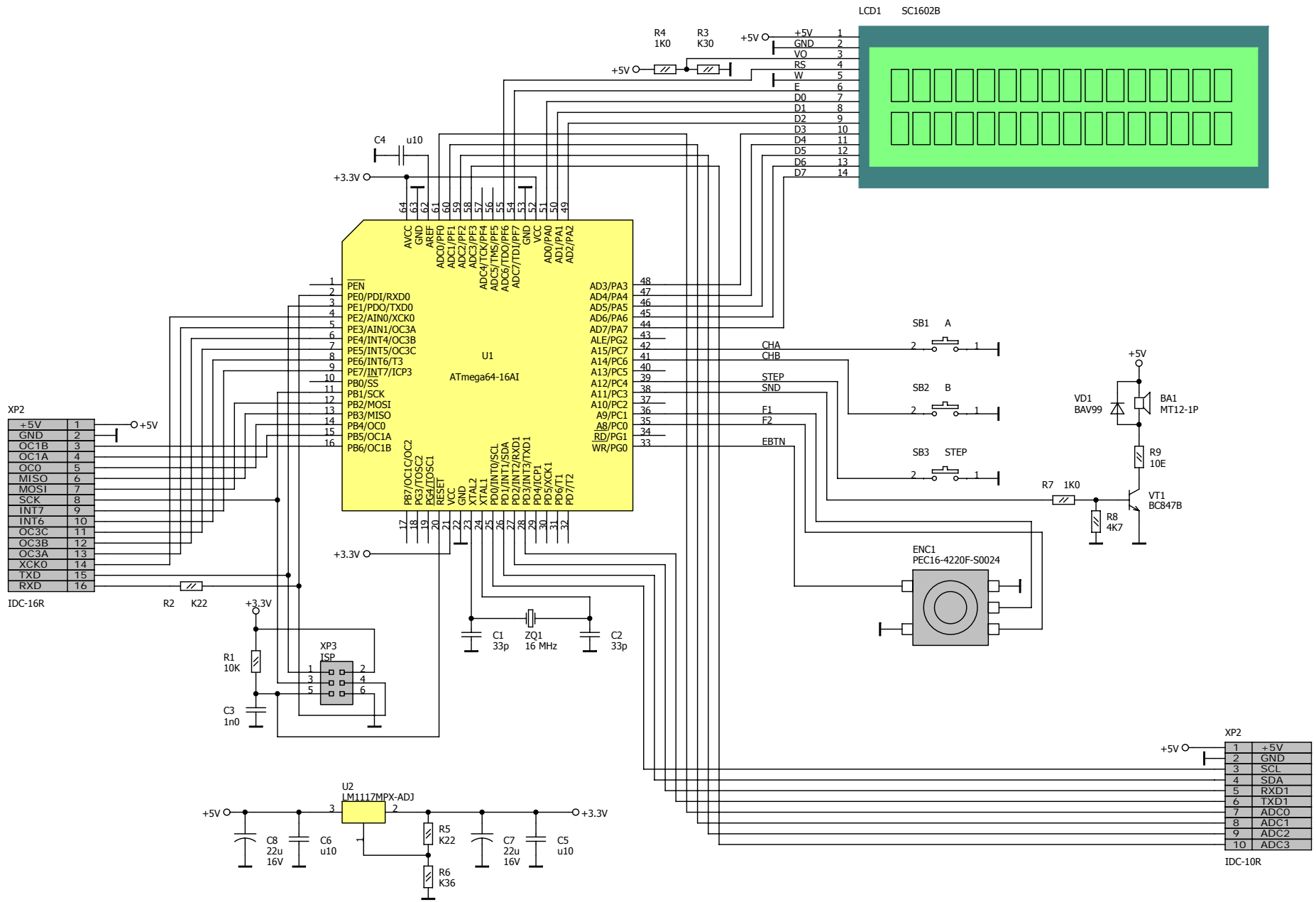
nSPIFS ○

CONF_DONE ○

nSTATUS ○

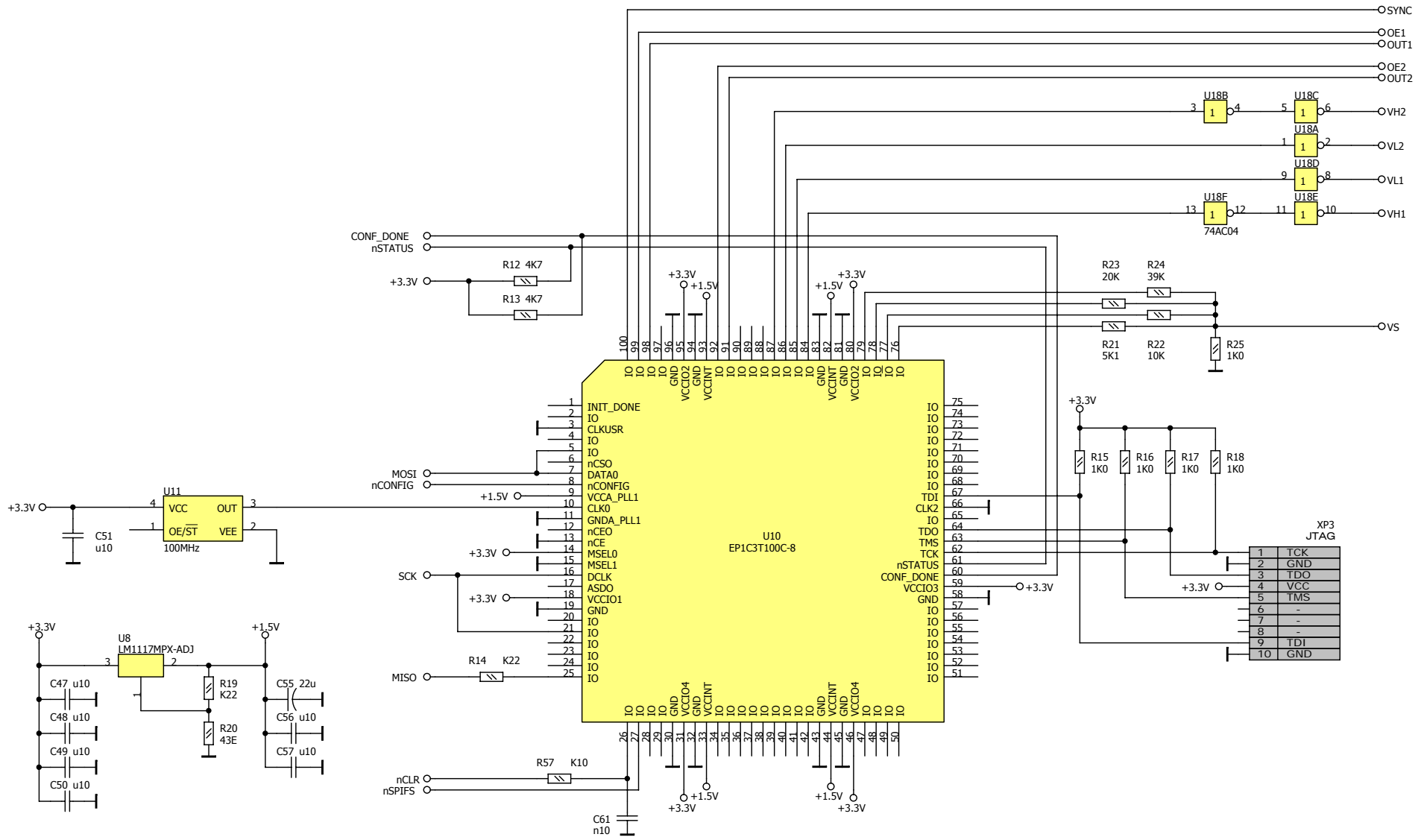
TXD ○

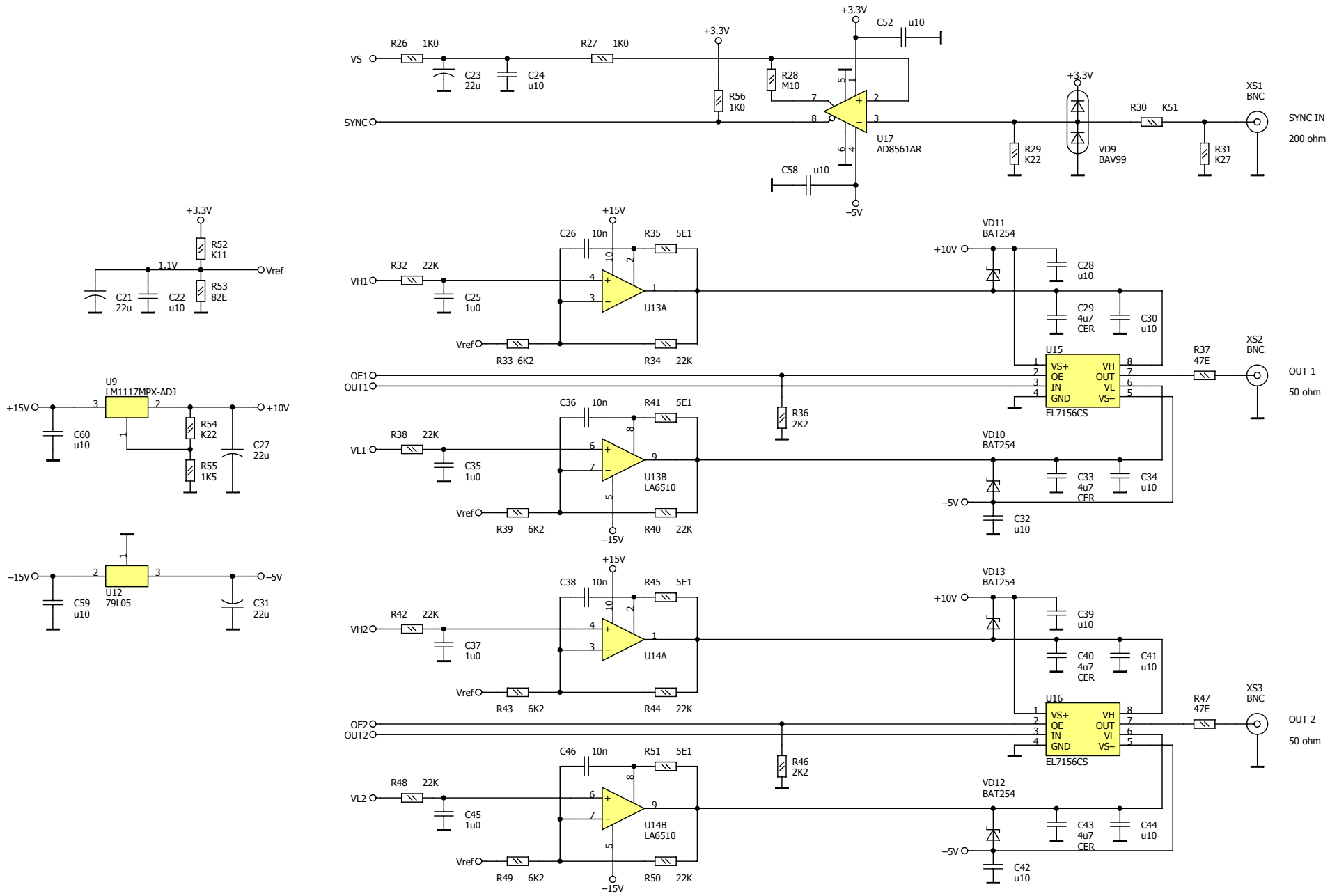
RXD ○



+5V	1
GND	2
OC1B	3
OC1A	4
OCO	5
MISO	6
MOSI	7
SCK	8
INT7	9
INT6	10
OC3C	11
OC3B	12
OC3A	13
XCK0	14
TXD	15
RXD	16

XP2	
1	+5V
2	GND
3	SCL
4	SDA
5	RXD1
6	TXD1
7	ADC0
8	ADC1
9	ADC2
10	ADC3





NSM		
Title PULSE GENERATOR PG-862 (Outs)		
Size	Document Number	Rev
Date: Tuesday, September 23, 2008	Sheet 4	of 4