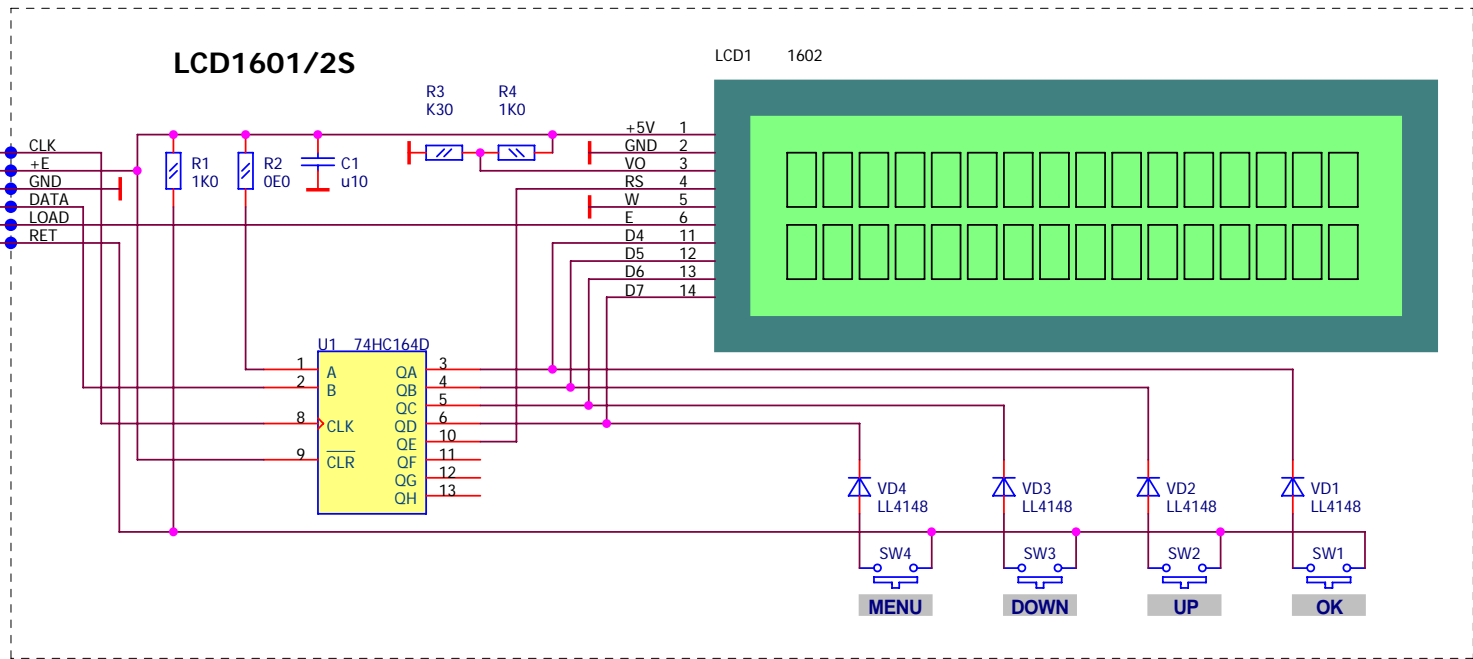
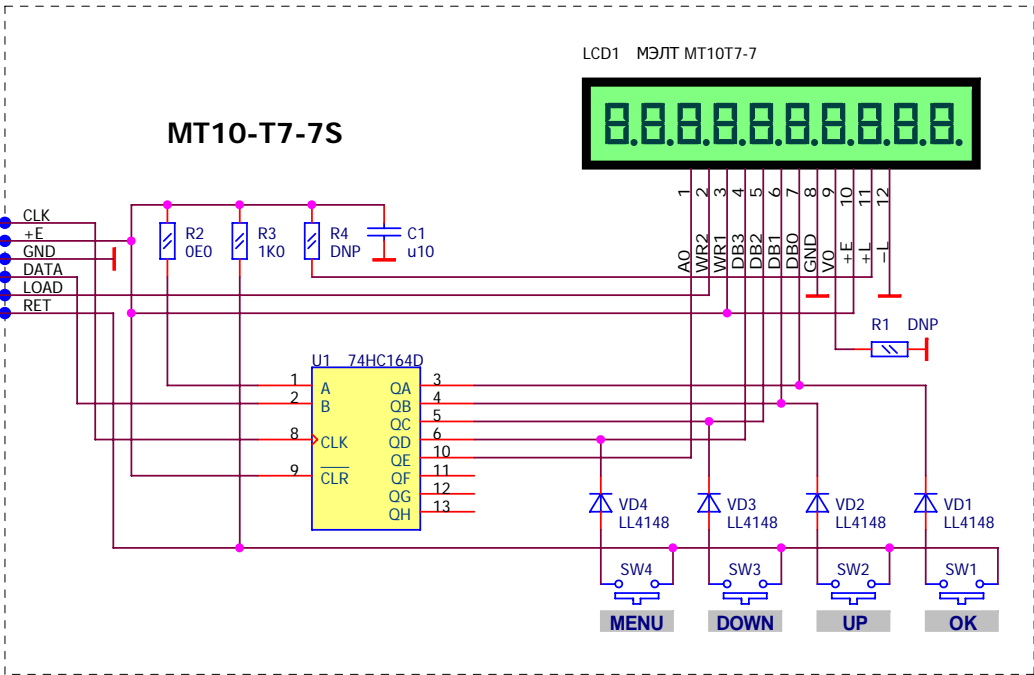


RET	1	RET
LOAD	2	LOAD
DATA	3	DATA
GND	4	GND
+E	5	+E
CLK	6	CLK

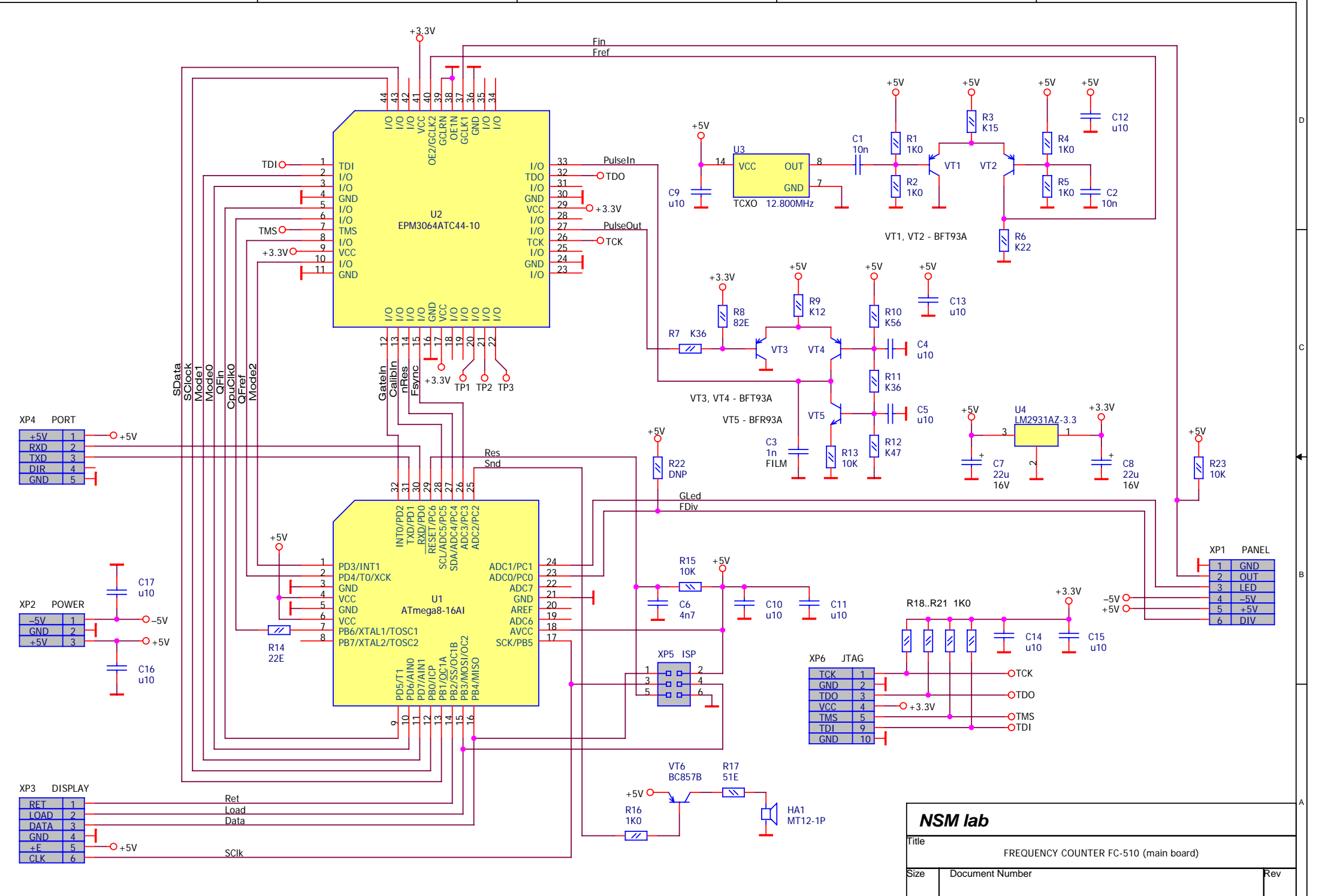


RET	1	RET
LOAD	2	LOAD
DATA	3	DATA
GND	4	GND
+E	5	+E
CLK	6	CLK

CLK	CLK
+E	+E
GND	GND
DATA	DATA
LOAD	LOAD
RET	RET



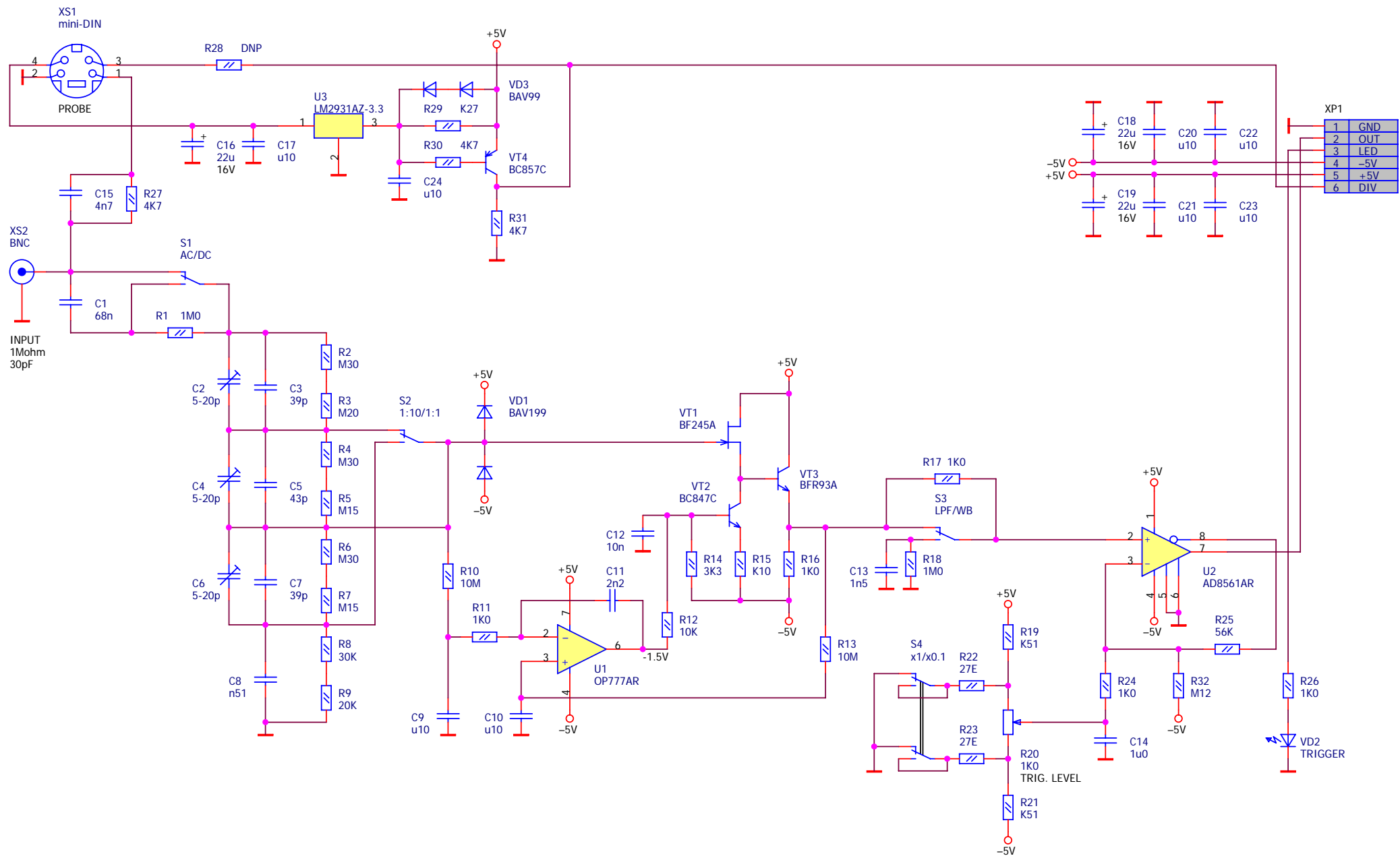
<b>NSM lab</b>		
Title		
FREQUENCY COUNTER FC-510 (display board)		
Size	Document Number	Rev
Date:	Tuesday, January 07, 2014	Sheet 1 of 6



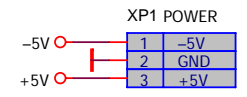
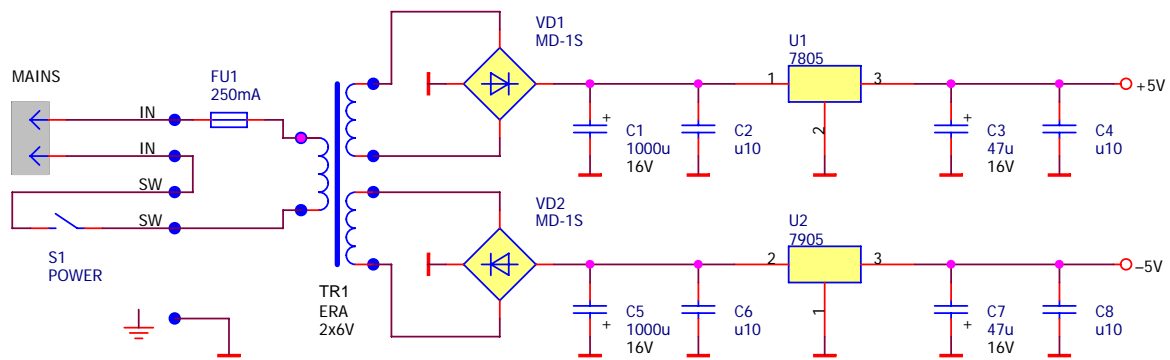
**NSM lab**

Title: FREQUENCY COUNTER FC-510 (main board)

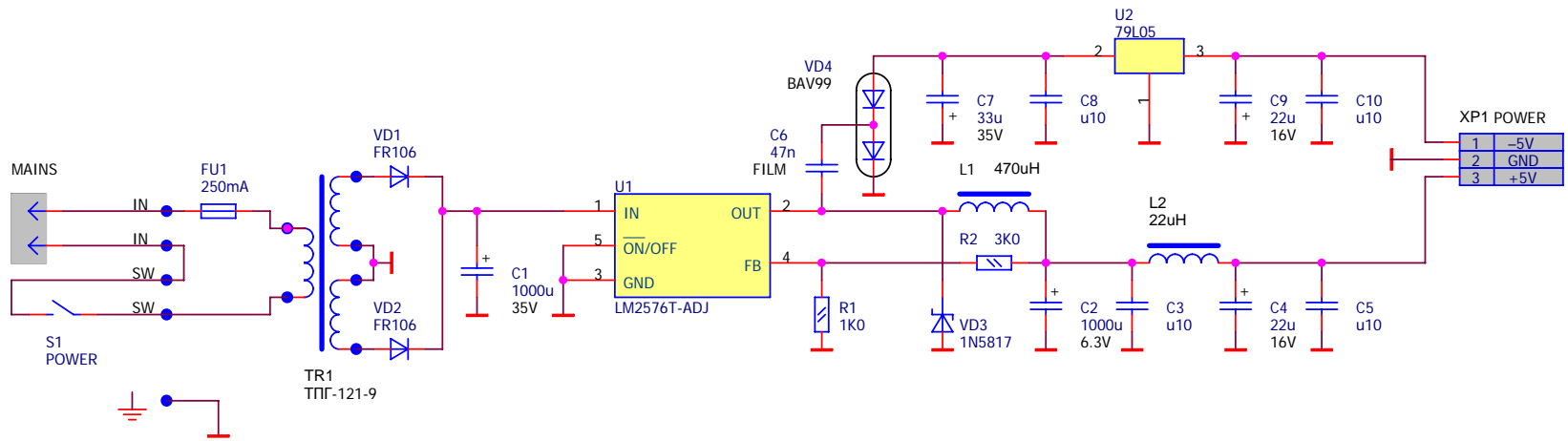
Size	Document Number	Rev
Date: Thursday, March 05, 2015	Sheet 3 of 6	



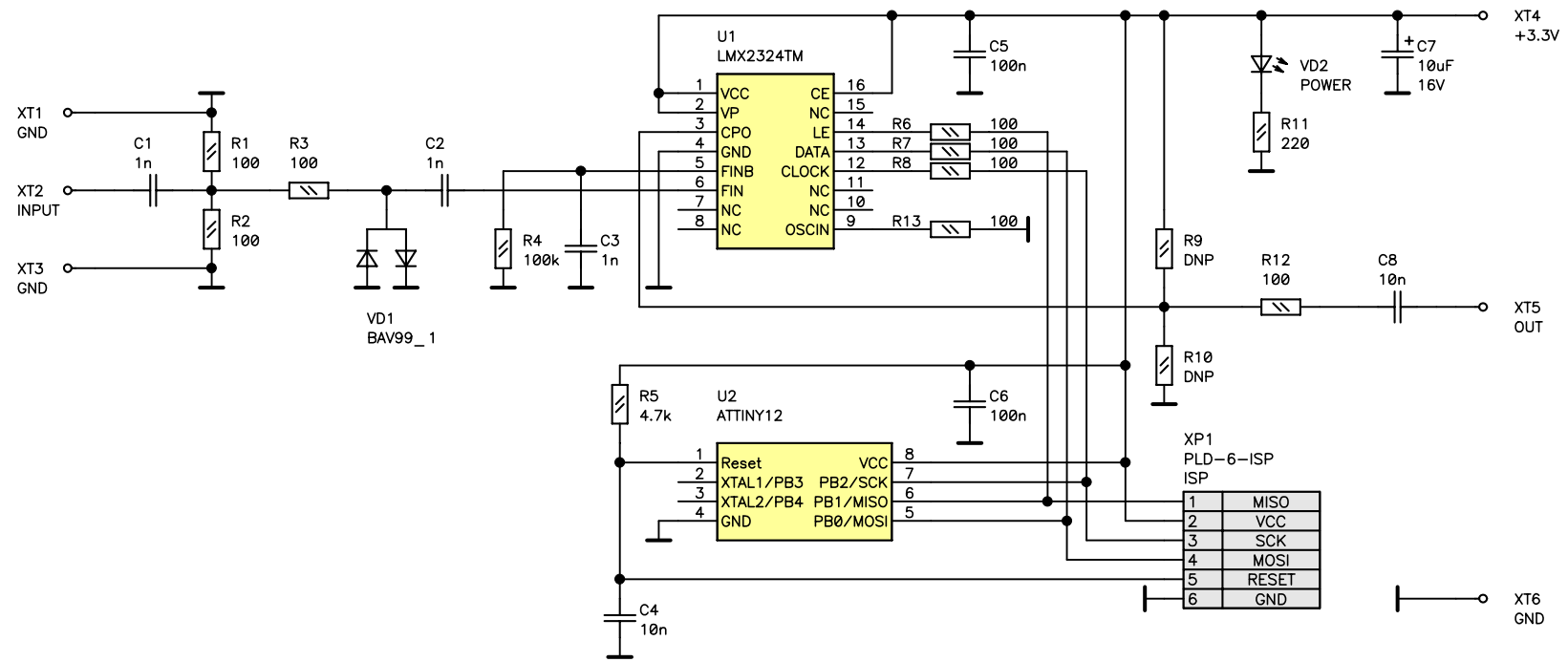
Pin	Function
1	GND
2	OUT
3	LED
4	-5V
5	+5V
6	DIV



<b>NSM lab</b>		
Title FREQUENCY COUNTER FC-510 (power supply board)		
Size	Document Number	Rev
Date: Thursday, March 05, 2015	Sheet 5 of 6	



<b>NSM lab</b>		
Title		
FREQUENCY COUNTER FC-510 (power supply board)		
Size	Document Number	Rev
Date:	Thursday, March 05, 2015	Sheet 6 of 6



Company Name NSM lab		
Size M1	Title FC-510 prescaler	Rev A
Date Thu Mar 07, 2013	Drawn by NSM lab	
Filename Prescaler.sch	Sheet 1 of 1	