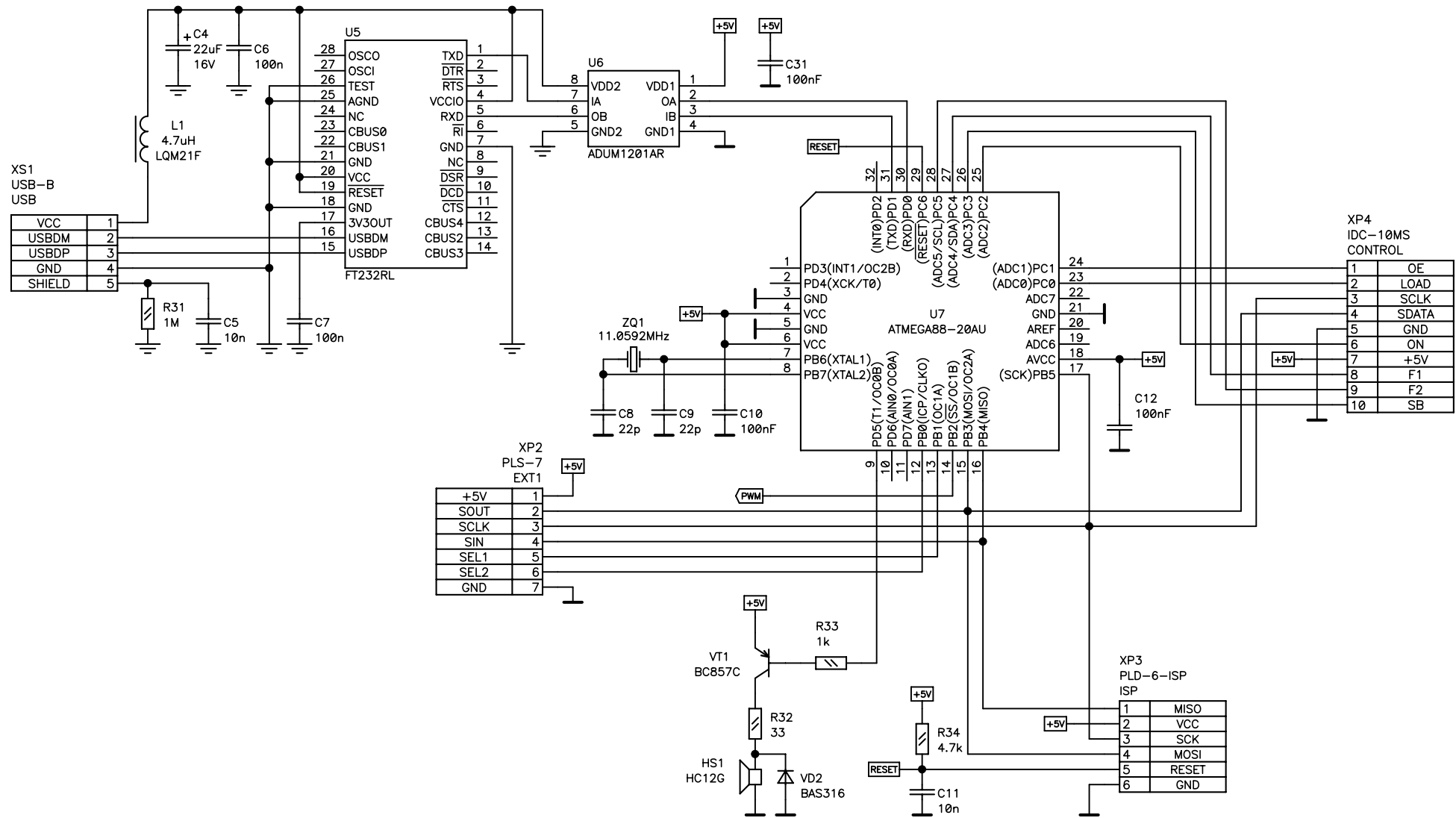


Company Name NSM lab		
Size M1	Title PMT Control Module	Rev A
Date Wed May 16, 2018	Drawn by NSM lab	
Filename Pmt_v2.sch	Sheet 1 of 4	

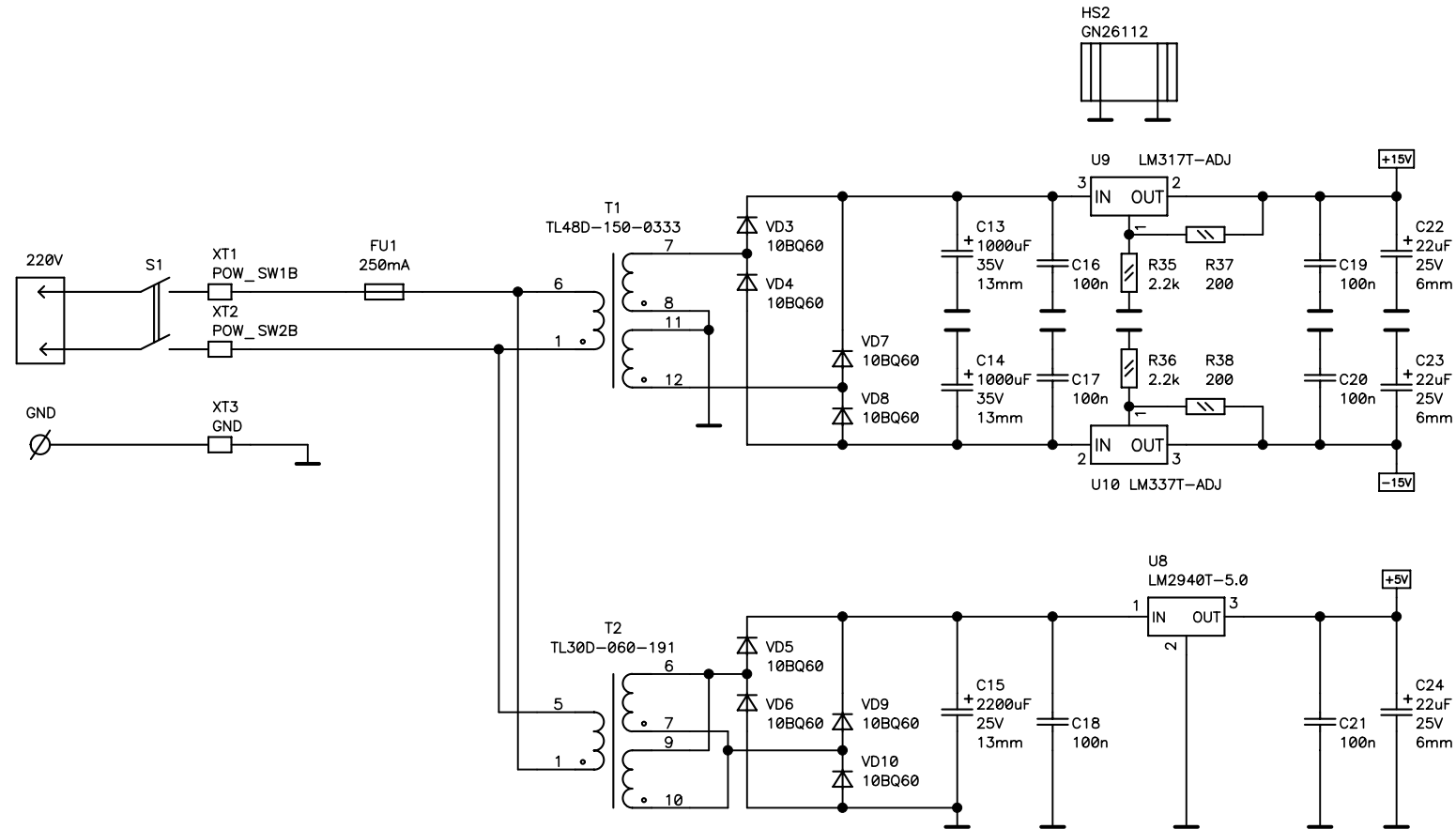


VCC	1
USBDM	2
USBDP	3
GND	4
SHIELD	5

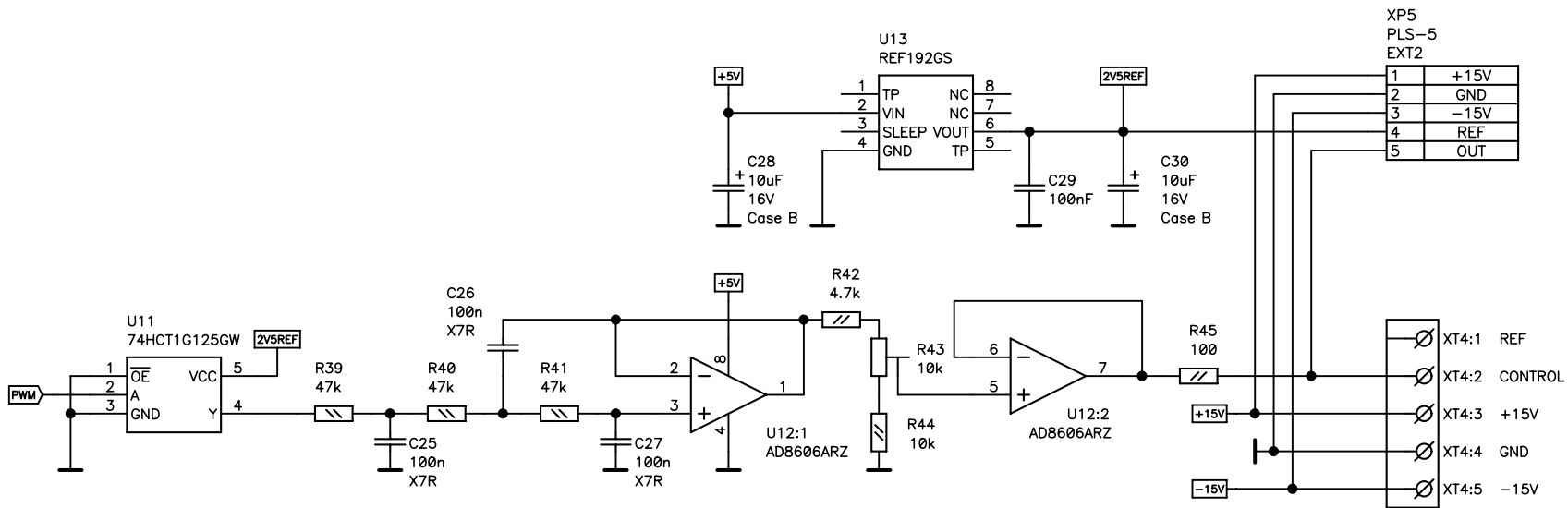
+5V	1
SOUT	2
SCLK	3
SIN	4
SEL1	5
SEL2	6
GND	7

1	OE
2	LOAD
3	SCLK
4	SDATA
5	GND
6	ON
7	+5V
8	F1
9	F2
10	SB

Company Name NSM lab		
Size M1	Title PMT Control Module	Rev A
Date Wed May 16, 2018		Drawn by NSM lab
Filename Pmt_v2.sch		Sheet 2 of 4



Company Name NSM lab		
Size M1	Title PMT Control Module	Rev A
Date Wed May 16, 2018		Drawn by NSM lab
Filename Pmt_v2.sch		Sheet 3 of 4



Company Name NSM lab		
Size M1	Title PMT Control Module	Rev A
Date Wed May 16, 2018	Drawn by NSM lab	
Filename Pmt_v2.sch	Sheet 4 of 4	

