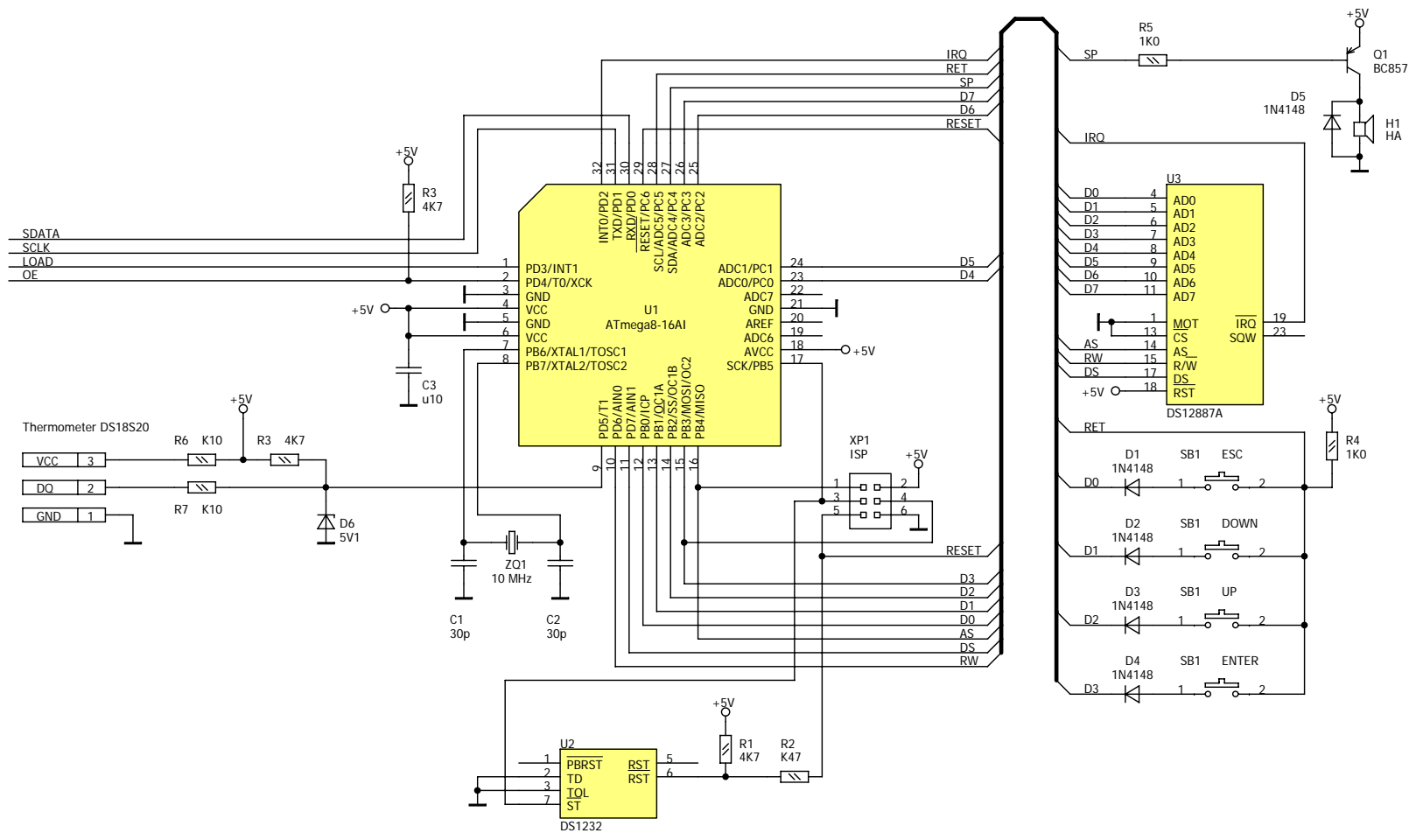
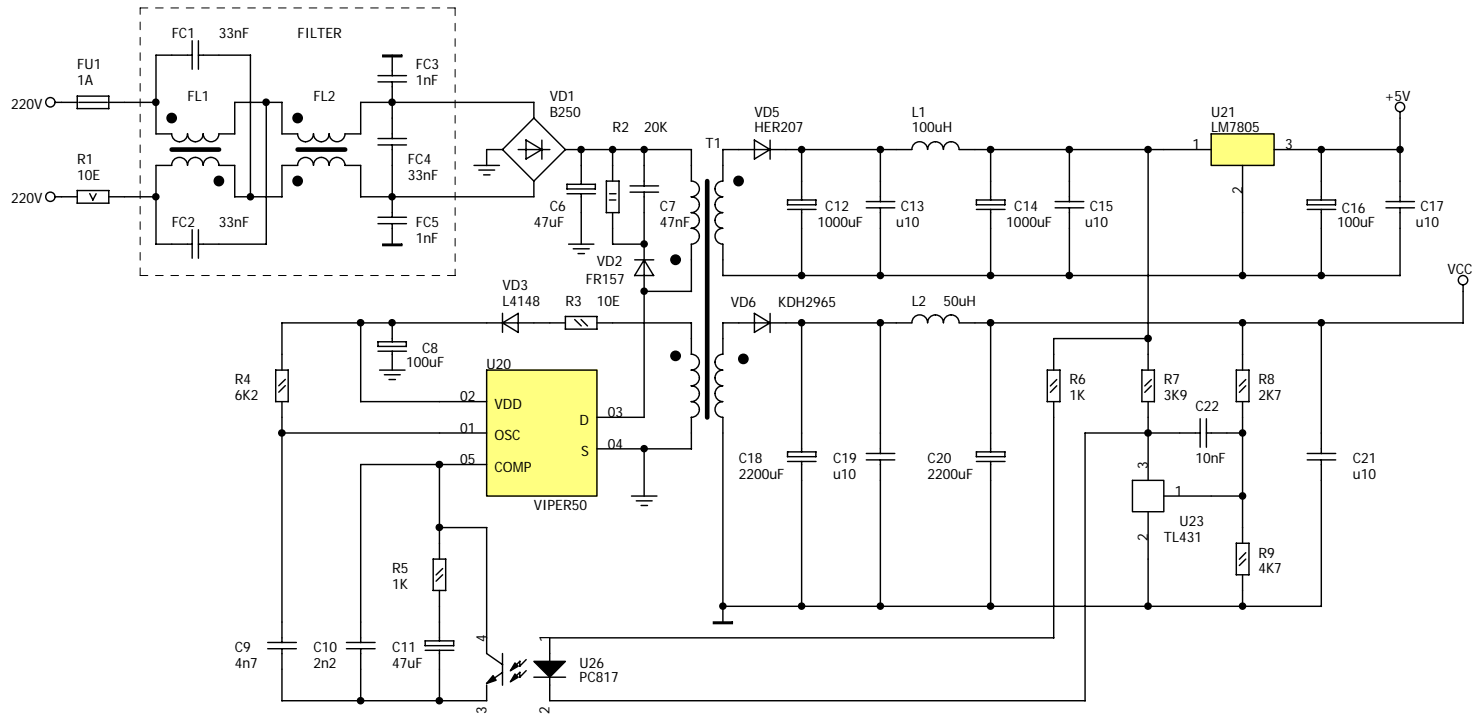


Title		
W-760 Display		
Size	Document Number	Rev A
Date:	Wednesday, June 16, 2004	Sheet 1 of 1



Title		
W-760 Main		
Size	Document Number	Rev
Custom	<Doc>	A
Date:	Wednesday, June 16, 2004	Sheet 1 of 1



Title		
<Title>		
Size	Document Number	Rev
Custom	<Doc>	<RevCode>
Date:	Wednesday, June 16, 2004	Sheet 1 of 1