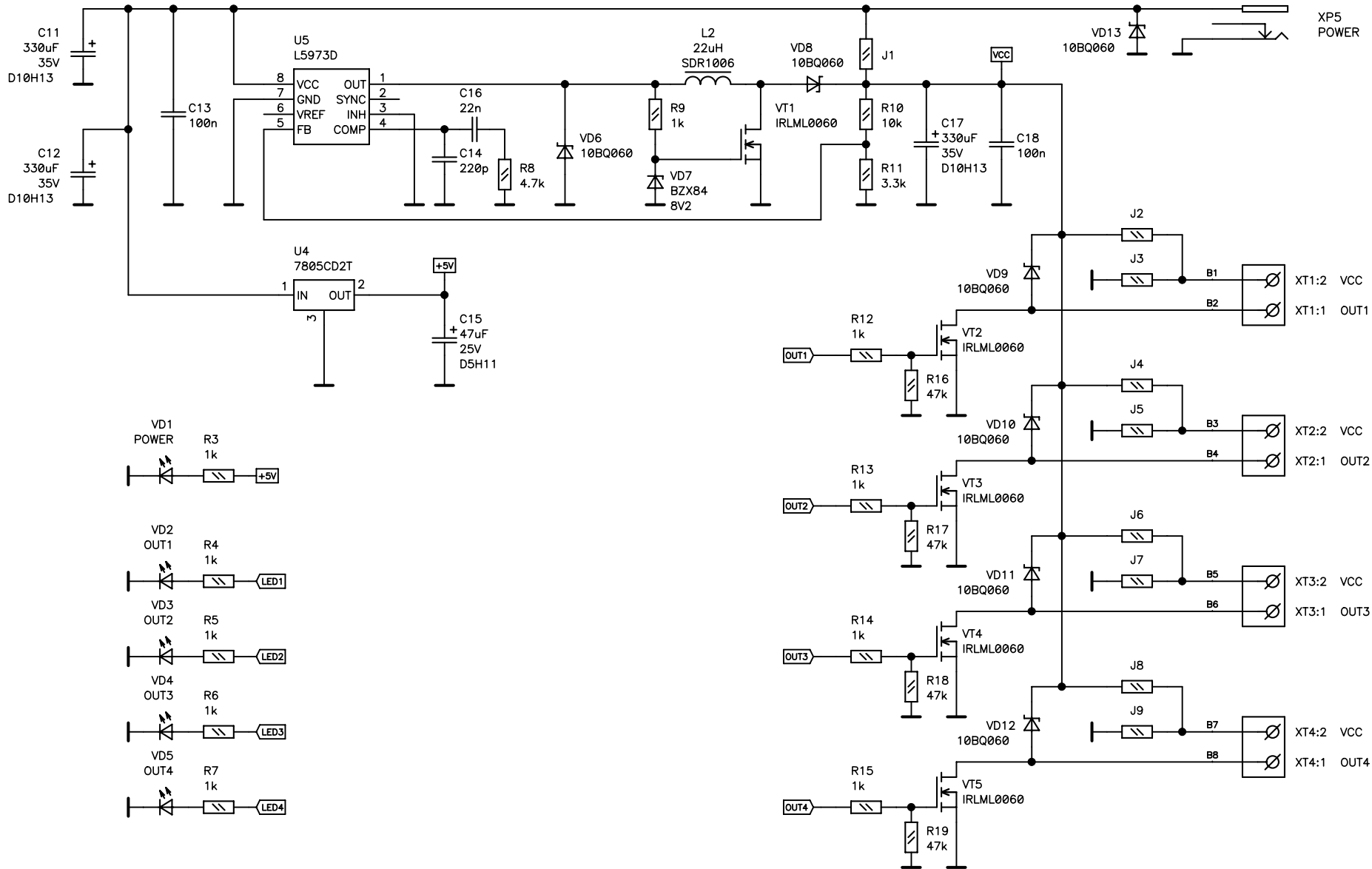


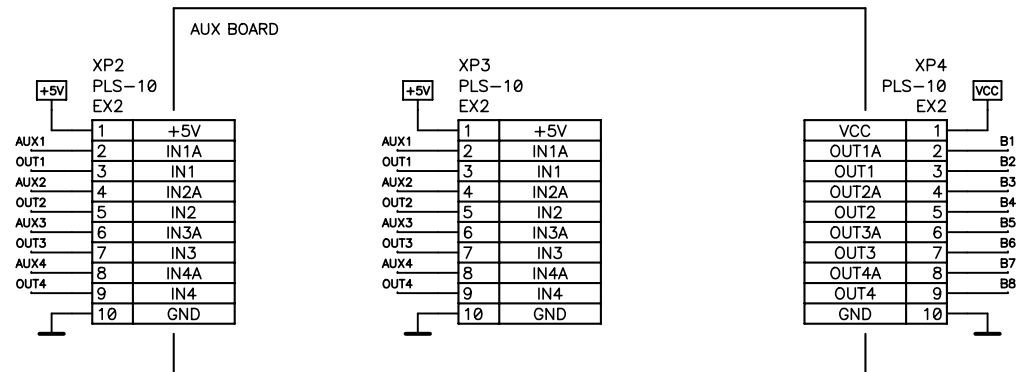
XS1
USB-B
USB

VCC	1
USBDM	2
USBDP	3
GND	4
SHIELD	5

Company Name NSM lab		
Size M1	Title Shutter controller	Rev A
Date Sat Jun 22, 2019	Drawn by NSM lab	
Filename Shutter.sch	Sheet 1 of 3	



Company Name NSM lab		
Size M1	Title Shutter controller	Rev A
Date Sat Jun 22, 2019		Drawn by NSM lab
Filename Shutter.sch		Sheet 2 of 3



Company Name NSM lab		
Size M1	Title Shutter controller	Rev A
Date Sat Jun 22, 2019		Drawn by NSM lab
Filename Shutter.sch		Sheet 3 of 3